

# PERLINE

## BALL VALVE



# BALL VALVE

## BALL VALVE

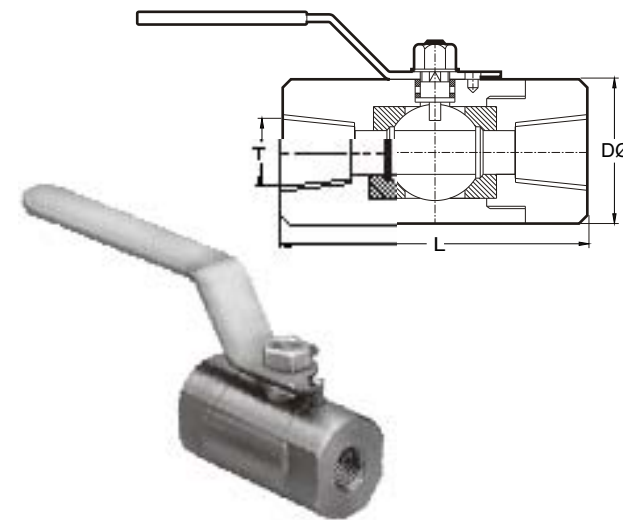
Ball valves are most widely used valves in the world. Main advantages over Needle valve or Globe valves are

1. Ball Valves gives full flow in open position.
2. No throttling or pressure drop across the valve.
3. Useful even for high-density fluid.
4. Contaminated particles dose not affect the flow
5. Full flow at ¼ turn.

'PRIME' make ball valves has been divided into two categories namely Instrument Ball Valve and Process Ball Valve.

### Process Ball Valve - Female end

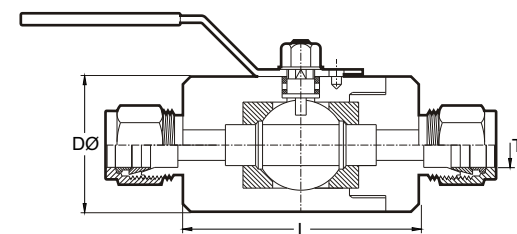
| PART NO.      | SIZE | T<br>NPT(F) | D    | L    |
|---------------|------|-------------|------|------|
| PBV-PR-S-4FF  | 1/4" | 1/4"        | 1.06 | 2.17 |
| PBV-PR-S-6FF  | 3/8" | 3/8"        | 1.18 | 2.28 |
| PBV-PR-S-8FF  | 1/2" | 1/2"        | 1.38 | 2.68 |
| PBV-PR-S-12FF | 3/4" | 3/4"        | 1.61 | 2.99 |
| PBV-PR-S-16FF | 1"   | 1"          | 1.89 | 3.35 |



### Process Ball Valve:

Features:

- Two and three piece compact design.Reduced or full bore for maximum flow.
- Powder coated single piece handle with stopper, provided with protective PVC sleeve.
- Blow out proof bottom loaded stem.
- Working pressure upto 1000 psi at 100 F.
- Series of end connections ¼", 3/8", 1/2" double or single ferrule tube end or male/female NPT, BSP pipe end.
- Material of construction: SS 304/316, Brass.
- 100% factory tested.



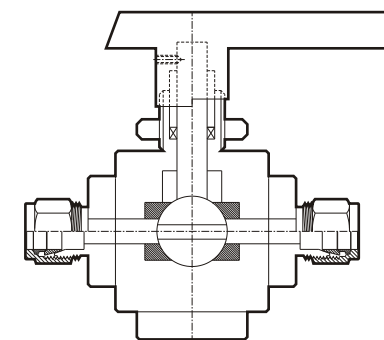
### Process Ball Valve - Tube end

| PART NO.     | SIZE | T<br>Tube | D<br>OD | L    |
|--------------|------|-----------|---------|------|
| PBV-PR-S-4TT | 1/4" | 1/4"      | 1.18    | 3.19 |
| PBV-PR-S-6TT | 3/8" | 3/8"      | 1.18    | 3.35 |
| PBV-PR-S-8TT | 1/2" | 1/2"      | 1.26    | 3.54 |

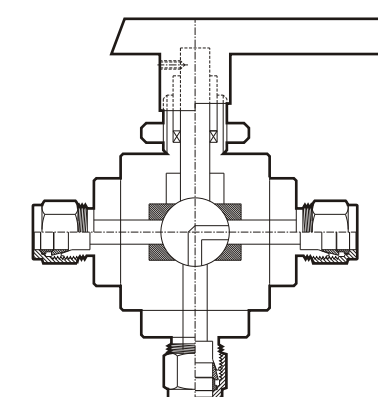
### Instrument Ball Valve:

Features:

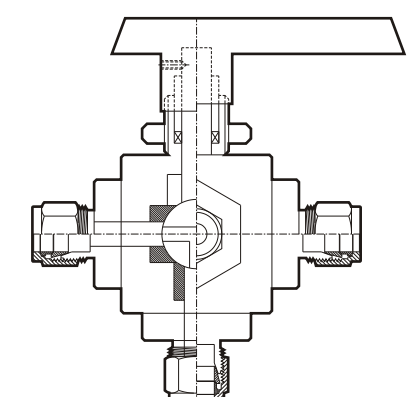
- 2 way ON-OFF valve, 3 way and 5 way switching valve and 4 way cross over valve models are made.
- One-piece ball stem eliminates backlash to ensure alignment of ball and orifice.
- Blow out proof bottom loaded stem.
- Heavy directional black unbreakable handle
- Panel mounting facility and low operating torque
- Series of end connections ¼", 3/8", 1/2" double or single ferrule tube end or male/female NPT, BSP pipe end.
- Pressure rating up to 2000 psi at 100 F.
- Material of construction: SS 304/316, Brass.
- 100% factory tested.



2 Way Ball Valve



3 Way Ball Valve



5 Way Ball Valve

NOTE : Processed Ball Valves - are also available in various end connections

NOTE : Instrument Ball Valves - are also available in various sizes and end connections



**DET NORSKE VERITAS  
MANAGEMENT SYSTEM CERTIFICATE**

Certificate No. 00597-2004-AQ-DNV-RvA

*This is to certify that  
the Quality Management System  
of*

**PRIME ENGINEERS**

at

14-A, Sitladevi Industrial Estate, 140, Sitladevi Temple Road, Mahim (W), Mumbai - 400 016, INDIA

*has been found to conform to the Quality Management System Standard:  
**ISO 9001:2000***

*This Certificate is valid for the following product or service ranges:*

**MANUFACTURING AND SUPPLY OF HYDRAULIC AND PNEUMATIC TUBE FITTINGS, PIPE FITTINGS AND VALVES FOR INSTRUMENTATION**

Original Certification date:  
2001-04-30

Place and date:  
Chennai, 2004-03-11

This Certificate is valid until:  
2006-12-16



for the Accredited Unit:  
DNV CERTIFICATION B.V.,  
THE NETHERLANDS

Compliance to the Standard in respect to the indicated scope  
is verified by the DNV approved registered Team Leader:

R.P. Shroff  
Lead Auditor

*(Signature)*  
Krishnakumar N.R.  
Management Representative

Lack of fulfillment of conditions as set out in the Appendix may render this Certificate invalid.

DNV 5023/1.2

DNV CERTIFICATION B.V., Haasrechtstraat 7, 3079 DC Rotterdam, The Netherlands. TEL.INT.:+31 10 2922 688. FAX:+31 10 4796 768

